



AMANNGIRRBACH

INTEGRATED, DIVERSE,
EFFICIENT, OPEN

 **ceramill**[®]

THE INHOUSE MOVEMENT[®]



ALL INHOUSE

CERAMICS

METAL

HYBRIDS

POLYMERS

RESINS

Full contour and hybrid
implant bridge with
gingiva section
Bridge on occlusal
titanium bases - occlusally
screw-retained
Bridge vestibularly reduced

Titanium abutment (customised)
Primary telescope
Attachment
Hybrid implant bridge
with gingiva section
Abutment on titanium
base (customised)
Bar on titanium base

Crown fully anatomical

Crown and bridge reduced

Primary telescope

Inlay

Inlay / Onlay / Veneer

Onlay

Models

Veneer

Partial dentures

Crowns / Bridges

Mock-up/try-in

Denture bases

Drilling templates

Individual trays

Therapeutic splints

Flexible gingiva masks

Eggshell temporary restoration

Partial dentures

Overpress fully anatomical
Crown and bridge
fully anatomical
Hybrid implant bridge
with gingiva section
Bite raising appliance
Full denture

Models

Partial dentures

Models

Partial dentures

Models

PRECISION MODEL

PRECISION SCANNING

DESIGN (CAD) VIRTUAL OCCLUSION



zebris FOR ceramill®

artex® cr

giroform®

ceramill® map 600+

ceramill® mind

Digital facebow - record jaw movements without a model

- _ Exact data acquisition increases accuracy of fit and reduces reworking
- _ Complete system integration enables fast and effortless data acquisition
- _ Perfect bite situation due to coordinated system from recording to try-in

Model management articulator and masticatory loading simulator for the dental practice and laboratory

- _ Provides all functions for analysing the free spaces and excursion patterns
- _ Variable sideshift function for transversal clearance, adjustable

Fabricate a precision model quickly and cost-effectively

- _ Overcomes expansion of dental stone due to segmentation of the dental arch
- _ Fabrication of a dental arch in only six minutes (working time)
- _ Fault-free basis for digitalisation

The "function scanner" with intelligent scanning height control

- _ Highly precise digitization of models through condyle-related scanning
- _ Integrated, universal fixator for all common types of articulators
- _ HD scan via 3D sensor with variable resolution guarantees optimal and reproducible results

The intelligent design software

- _ High saving in time thanks to intuitive workflow according to dental technology logic
- _ Perfectly coordinated with scan and CAM processes to guarantee a continuous workflow
- _ Virtual Artex CR with an unlimited range of functions



MATERIAL SELECTION



ceramill® mikro 4X 5X

4- or 5-axis dry milling in a minimum of space

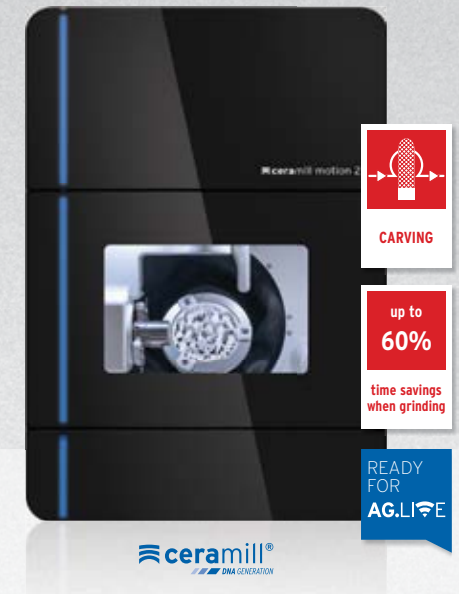
- _ High performance milling due to DNA milling strategies
- _ Maximum range of indications in 4 or 5-axis dry milling (blanks, hybrid ceramic blocks, etc.)
- _ Fast, stable and efficient due to low-vibration and oscillation monocoque design
- _ High-quality machine components guarantee constantly high precision and durability



ceramill® mikro ic 4X

4-axis wet processing with speed function

- _ Carving mode grinding technique - for up to 60% saving in time when processing glass/hybrid ceramic
- _ Intelligent machine concept with high-performance, super-high-frequency spindle for maximum speed with the highest precision
- _ Special holder concept for easy handling and highest degree of accuracy when processing hard materials



ceramill® motion 2 5X

5-axis wet and dry processing - versatile and future-proof

- _ Innovative processing procedures ensure maximum ROI (rotational milling of titanium, carving mode grinding technique etc.)
- _ Maximum range of materials and indications
- _ Intelligent machine concept with high-performance, super-high-frequency spindle for maximum speed with the highest precision
- _ Intelligent machine design guarantees optimum protection of all electronic components in wet operation

CAD/CAM Material

CAD/CAM materials for the highest demands in quality and esthetics

- _ Zirconia for great expectations - esthetic, cost-effective and efficient
- _ CoCr sintering and hard metal for fabricating non-precious metal restorations
- _ Resins for temporary restorations and therapeutic splints
- _ Hybrid ceramics which combine the positive properties of composites and ceramics

PRODUCTION (CAM)



READY FOR
AG.LI E

ceramill® matik EX

Full service unit with milling/grinding, administration and cleaning function

- _Maximum time savings in resource management through automatic management of material and tools
- _Maximum convenience due to autonomous wet and dry change as well as automatic cleaning
- _No limits - full indication and material portfolio
- _Future-proof through continuous software development and expandable holder portfolio



READY FOR
AG.LI E

ceramill® argotherm 2

Shielding gas sinter furnace for Ceramill Sintron with shielding gas flood chamber

- _Consistently high sintering quality thanks to optimum coordination with the Ceramill CAD/CAM system
- _Maximum process reliability due to integrated compressed air and shielding gas monitoring
- _Minimum shielding gas consumption



READY FOR
AG.LI E

NextDent™ 5100 for ceramill®

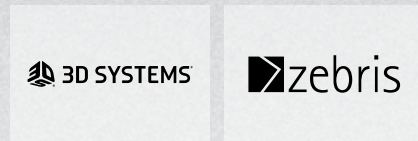
High-Speed 3D printer for Ceramill CAD/CAM

- _Up to 3x faster printing due to Figure 4™ technology
- _Perfect results through precise coordination of workflows, materials and machines
- _Rapid amortization due to maximum material and indication spectrum as well as low investment and fixed costs

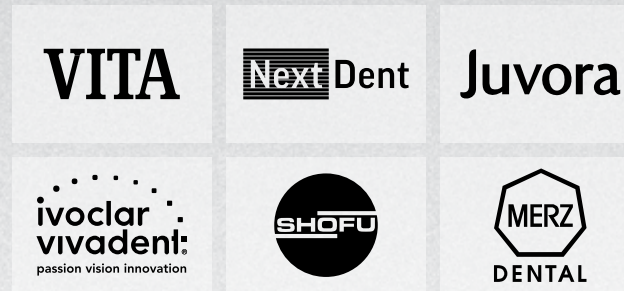
STRONG TOGETHER

Strong partners - strong products. Amann Girrbach works closely with a select group of renowned cooperation partners. The combination of the core competencies of each one of them finds its expression in products, systems and processes that make dental technicians successful.

CAD/CAM EQUIPMENT PARTNER



CAD/CAM MATERIAL PARTNER



ESTHETIC MANAGEMENT PARTNER



FULL DENTURE PARTNER



IMPLANT PROSTHETICS PARTNER



IOS CONNECTIVITY PARTNER



OPEN TO CHANGE.

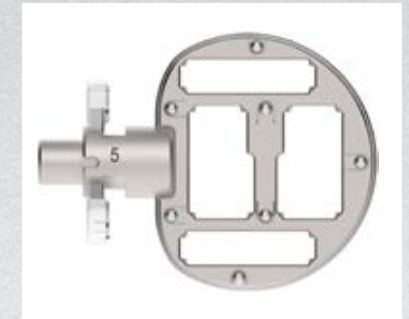
Maximum range of indications and materials with the Plug&Play quick-change holder concept for Ceramill CNC units.



Ceramill Material 98



Titanium abutment blanks



Denture teeth
(full-denture prosthetics)



Glass ceramic and hybrid blocks (12x)



Glass ceramic and hybrid blocks



Ceramill Matik blank holders -
all models at www.amanngirrbach.com

THE MATERIAL THAT CREATES AESTHETICS.

Materials from the Ceramill material portfolio ensure that you work with the highest quality restoration materials. We cooperate closely with selected partners to combine materials from in-house development and production with their materials in order to extend our product portfolio for customers.

ZOLID ZIRCONIA



 **zi white**




 **zolid gen-x**



 **zolid ht+ preshade**



 **zolid ht+ white**



 **zolid fx multilayer**



 **zolid fx white**



 **zolid fx multilayer**



 **zolid drs multilayer**

METAL



 **ceramill sintron**



 **Mogucera C Disc**



 **ceramill ti-forms**

POLYMERS/WAX



ceramill a-temp multilayer



ceramill a-temp



ceramill a-temp



ceramill a-splint



ceramill a-cast



ceramill wax
ceramill wax white



ceramill peek natural
ceramill peek white



ceramill m-plast

CERAMICS

HYBRIDS

3D PRINT RESINS



VITA SUPRINITY® PC



VITABLOCS® Mark II / TriLuxe Forte



VITA ENAMIC®
VITA ENAMIC® multiColor



Next Dent



AMANNGIRRBACH

AUSTRIA (HEADQUARTERS)

Amann Girschbach AG
Koblach, Austria
Fon +43 5523 62333-105
austria@amanngirschbach.com

GERMANY

Amann Girschbach GmbH
Pforzheim, Germany
Fon +49 7231 957-100
germany@amanngirschbach.com

ITALY

Amann Girschbach Italia srl
Verona, Italy
Fon +39 045 9813970
europe@amanngirschbach.com

FRANCE

Amann Girschbach France SAS
Jossigny, France
Fon +43 5523 62333-105
europe@amanngirschbach.com

NORTH AMERICA

Amann Girschbach North America, LP
Charlotte, NC, U.S.A.
Fon +1 704 837 1404
america@amanngirschbach.com

BRAZIL

Amann Girschbach Brasil LTDA
Curitiba, Brazil
Fon +55 41 3287 0897
brazil@amanngirschbach.com

ASIA

Amann Girschbach Asia PTE LTD.
Singapore, Asia
Fon +65 6592 5190
singapore@amanngirschbach.com

CHINA

Amann Girschbach China Co., Ltd.
Beijing, China
Fon +86 10 8886 6064
china@amanngirschbach.com

WWW.AMANNGIRRBACH.COM