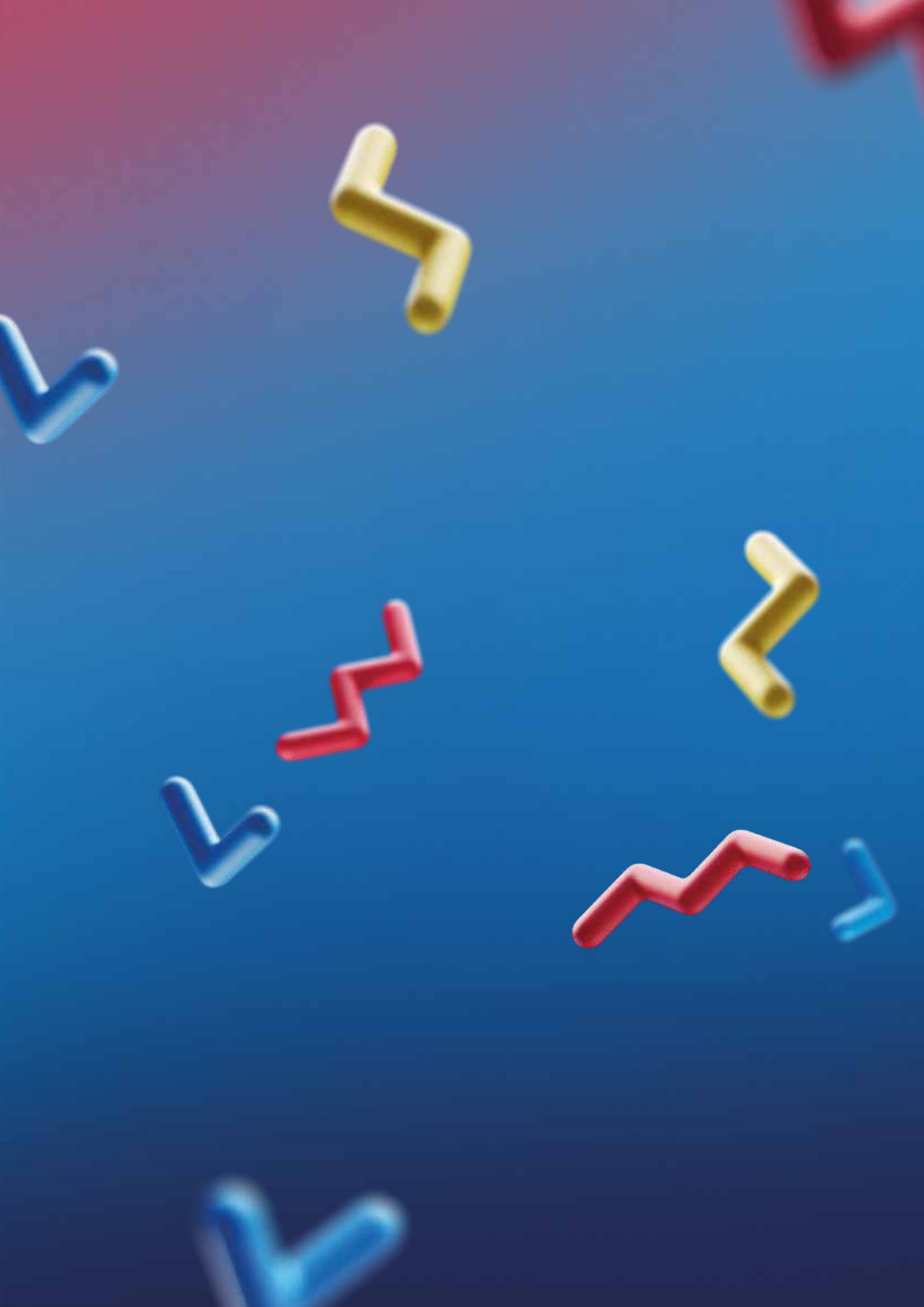




**DXP**  
CLAVE

DENTAL EXPERIENCE GETS DYNAMIC



# DXP CLAVE



The most performing experience.



1

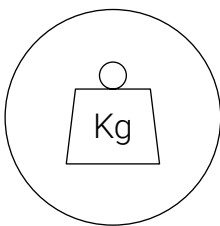
Plus



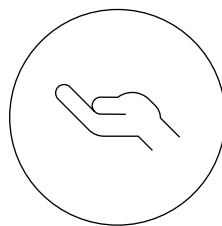
For over 40 years, our brand has been supporting dental and medical professionals by manufacturing products that make every working day easier.

**Concreteness**, reliability and effectiveness are in our DNA, with usability and **dynamism** our genetics.

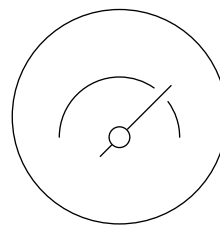
DXP products come from extensive **experience** in the world of sterilisation. Solid technical, technological and design skills unite to create contemporary, strong and durable products such as the DXPclave, with its robust structure, functional design and a simple and **reliable** manual locking system.



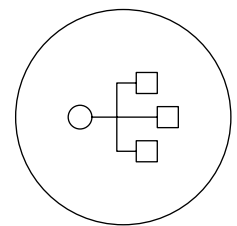
Capacity



Usability



Performance



Traceability

## LOAD CAPACITY

With its **larger load compartment and 5 differentiated trays** designed to improve capacity, the DXPclave allows all useful space to be exploited, guaranteeing the best load capacity in its category (24L). All with optimised full-load cycle times for extreme effectiveness.

## USABILITY

DXPclave's user interface is designed with a high focus on usability. Thanks to the 4.3" capacitive touch screen display and the **intuitive menu**, cycle selection and programming are simple and instantaneous. A **user-friendly** design then facilitates the work of every professional.

## PERFORMANCE

The structure of the DXPclave is designed to generate steam quickly and efficiently. Together with the tray system, designed to improve drying, and the **steam generator with stainless-steel coil** to prevent the risk of clogging, it guarantees best-in-class cycle times and long-lasting performance.

## TRACEABILITY

With DXPclave, sterilisation cycle reports can be automatically saved on USB media. Traceability is optimised thanks to the integrated or external printer. The **native Ethernet connection** ensures compatibility with the web platform and secures storage and analysis of the data.



DXPclave is equipped with an innovative steam distribution system: the autoclave injects steam sideways relative to the chamber, in a middle position and directly onto the tray holders, which act as heat accumulators.

Thanks to this **technology**, steam is distributed evenly within the chamber, ensuring the gentle treatment of the instruments and maximising the effectiveness of the sterilisation process.

But that's not all: the accumulated heat is subsequently transferred to the load during the drying stage, reducing the time required and ensuring a flawless result at every cycle.

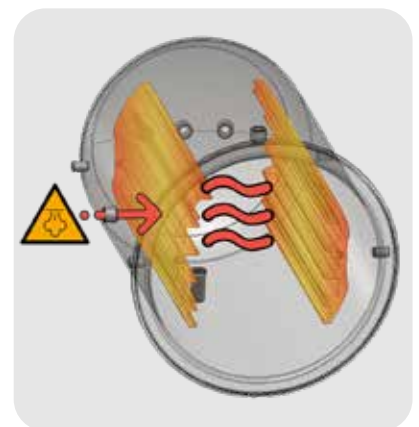
#### CYCLE SPEED AND LOAD CAPACITY

DXPclave is designed to achieve very short cycle and drying times, having **Class B and S rapid cycles** that have a run time of approximately 40 minutes with a typical\* load. Performance is comparable to high-end devices thanks to:

- **new steam generation technology** that ensures extreme heat exchange effectiveness;
- a chamber and hydraulic circuit **design** that ensures a very fast cycle start-up and an extremely efficient vacuum phase;
- the **aluminium tray holders** retain heat and spread it evenly throughout the chamber.

Speed and effectiveness are also ensured by the capacity of the load compartment: the central trays are wider to optimise space and increase the load capacity (up to 7 kg maximum capacity).

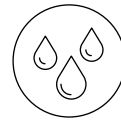
\*Typical load of 2 kg.



DXPclave's latest-generation steam technology combines with the utmost convenience to ensure that all professionals can work in comfort and with the greatest results. Silent and user-friendly, it stands out thanks to its capacity and design, becoming a reliable and effective ally.







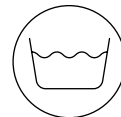
## DRAINAGE SYSTEM

DXPlave is equipped with a **single drainage system** for clean and waste water. This solution offers greater convenience than traditional systems, as the integration of a single tap allows both tanks to be emptied from the same system, without having to connect a tube to two different outlets.



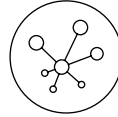
## TOUCH DISPLAY

The 4.3" colour screen is among the largest in its class; it is easy to use thanks to a **clear and intuitive menu**. What's more, it is easy to clean and maintain as well as being capacitive and even responsive when wearing gloves. It allows you to **schedule** the sterilisation cycle start-ups and **testing**, whilst immediately reporting the status and steps of the cycles through a user-friendly interface.



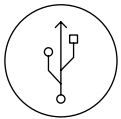
## WATER LOAD COMPARTMENT

Resistant to cleaning agents, it is **designed for easy cleaning**, starting with a removable and replaceable filter without requiring any dismantling of machine parts. The tank is also equipped with level sensors with no moving parts, ensuring both **easy sanitisation** and greater reliability, along with eliminating the chance of mechanical part failures.



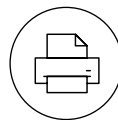
### NATIVE ETHERNET CONNECTION

The native Ethernet connection ensures **full compatibility with a web platform** to allow automatic storage and analysis of the data.



### USB

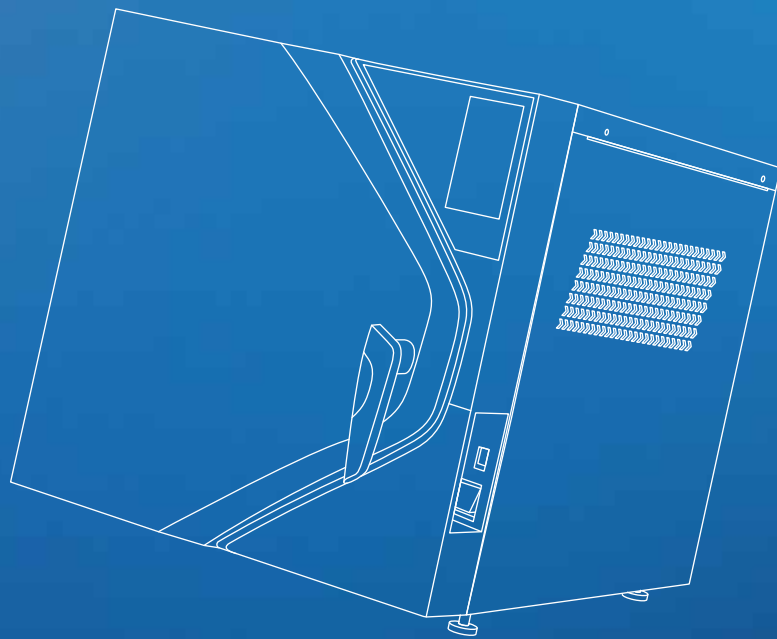
DXPClave is equipped with two USB ports that allow storage media to be connected for full traceability of cycles and tests in accordance with the current regulations. The rear port is also designed to connect an **optional printer for printing labels or the cycle report**.



### INTEGRATED PRINTER

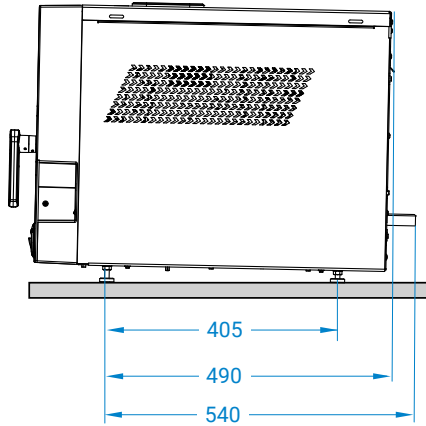
DXPClave comes with an integrated printer for generating **quick and immediate report printouts** regarding the sterilisation cycles and tests, for easy and complete traceability and archiving.

# ***DXP*** *CLAVE*

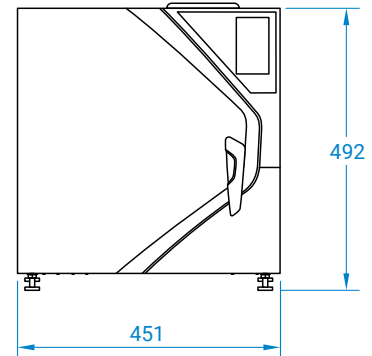


Technical data and accessories

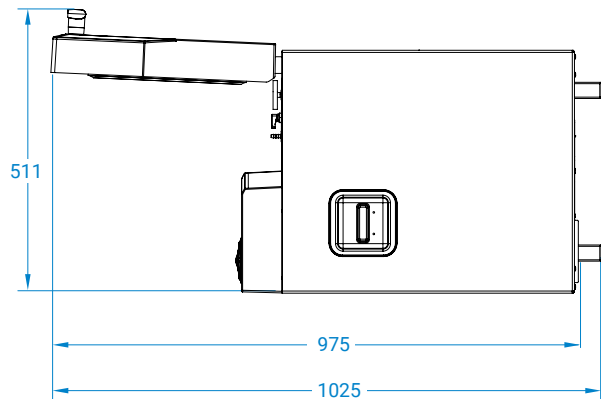
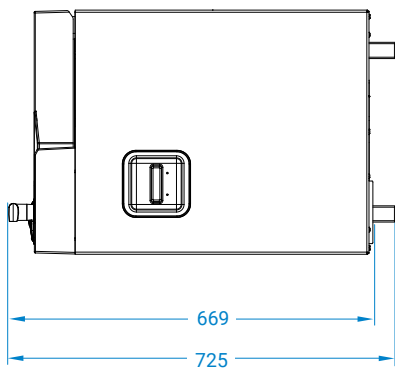
SIDE VIEW



FRONT VIEW



TOP VIEW



#### Safety devices

- Protection from electricity blackout
- Protection from short-circuit
- Protection from overheating
- Protection from overpressure
- Protection from accidental door opening

- Process evaluation system
- Real-time autodiagnosis system

#### Certifications

- Class IIa medical device compliant with Reg. MDR. 2017/745 / EU (rule 16)
- Chamber complies with Directive 2014/68/EU
- Company: ISO 9001 - ISO 13485

#### Main compliances

- EN 13060
- IEC 61010-1
- IEC 61010-2-040
- IEC 61326-1
- EN 13445

International standard.






### Intended use

DXPclave is a steam sterilizer used to sterilize medical devices or for materials that are likely to come into contact with blood or body fluids. According to requirements of EN 13060:2014+A1:2018 for small sterilizer, it is suitable for following sterilization cycle types and loads:

**Type B** Sterilization of solid products, porous products and lumen devices, wrapped or non-wrapped as represented by the test loads.

**Type S** Sterilization of non-wrapped solid products.

### STERILIZATION CYCLES DXP CLAVE

CYCLE	TEMPERATURE	STERILISATION	DRYING	MAX. LOAD	TYPICAL LOAD CYCLE TIME 2KG*	FULL LOAD CYCLE TIME*
	134°C	4' 00"	10'	7 kg	41 min	59 min
	134°C	18' 30"	14'	7 kg	62 min	78 min
	134°C	3' 30"	5'	0,7 kg*	n/a	29 min
	121°C	20' 30"	16'	7 kg	67 min	82 min
	134°C	3' 30"	7'	2 kg	n/a	32 min

#### Notes:

Cycle times may vary depending on the type and weight of the load, temperatures and mains voltage. The indicated weight includes trays.

\* Use only the second tray from the bottom. Load type only solid, hollow, individually bagged products.

### TECHNICAL CHARACTERISTICS DXP CLAVE

CHARACTERISTICS	DXP CLAVE
OVERALL DIMENSIONS	451 x 492 x 669 mm (L x H x D)
CHAMBER DIMENSIONS	Ø 265 - 475 mm (D)
CHAMBER VOLUME	24 L
WEIGHT (no load)	61 kg
POWER SUPPLY VOLTAGE	230V ~ 50/60Hz
CONSUMPTION (power)	2350 W
CYCLE WATER CONSUMED	700 cc ÷ 800 cc*
TANK CAPACITY (clean water and used water)	5 litres each
SOUND EMISSION	60 dB(A)

Note: Water should fulfill the EN 13060 Annex C requirements.

\* Value subject to device operating conditions (e.g. chamber temperature, selected cycle, etc.).

4

## Equipment and codes



### 92411B0100

→ DXPclave 24 No Printer  
Available also with UK plug



### 92411B0100P

→ DXPclave 24 Printer  
Available also with UK plug

### Documentation supplied

- Declaration of Conformity for the device
- Declaration of Conformity for the chamber
- Test Report

- User Manual
- Quick Guide

5

## Accessories



### OPTIONAL PRINTER

Optional external, affordable and compact printer, ideal for printing sterilisation cycle data on paper or adhesive labels. It comes with a USB and power supply cable.

### 9900009

→ Optional Printer

### 9900010

→ Roll of Labels  
(1950 labels 60x30mm)



### HELIX TEST

This test facilitates verification that steam has penetrated a hollow body. The test consists of a tubular plastic device with an indicator vessel at the end, supplied with 250 control indicators, being easy to interpret and compliant with EN 867-5.

### 9900059

→ Helix Test





CE  
0123

DXP-STERILIZATION.COM

**dxp** **EN**

NSK Dental Italy S.r.l.  
Via dell'Agricoltura, 21  
36016 Thiene (VI) Italy  
t. +39 0445 820070



KFADV.IT

NSK Dental Italy S.r.l. reserves the right of modifying characteristics and/or details of the products introduced hereunder, without previous notice. Therefore, the products can result lightly modified compared to the pictures.

© NSK Dental Italy S.r.l. - All rights reserved. 04/2024 CA5018EN rev02