

VistaScan Mini View

Quick-start instructions

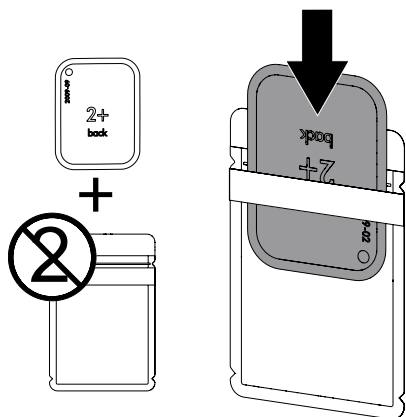
Scanning the image data via a computer

The following information is supplementary to the device installation and operating instructions.

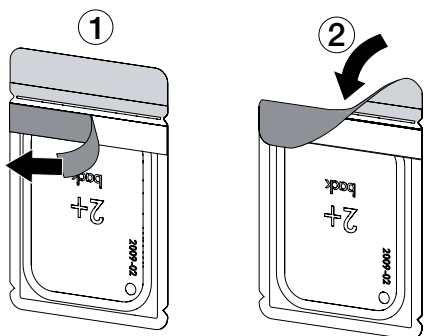
As a general rule, the installation and operating instructions for the device must also be observed. These instructions include important information such as safety instructions and information on the setup, electrical connections, disinfection process, cleaning process etc.

1 Scanning the image data via a computer

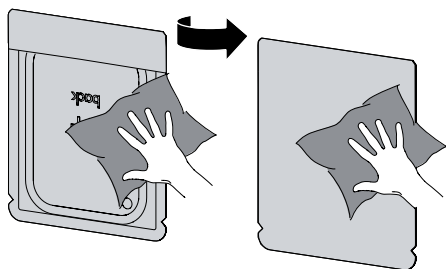
1.



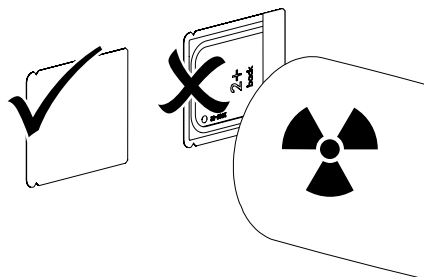
2.



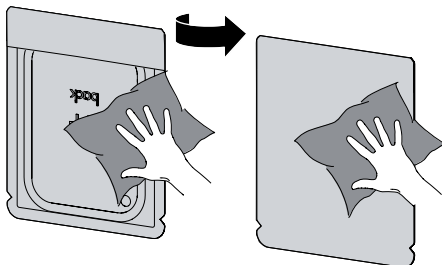
3.



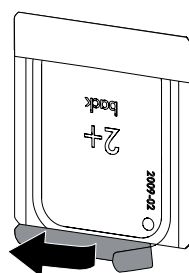
4.



5.



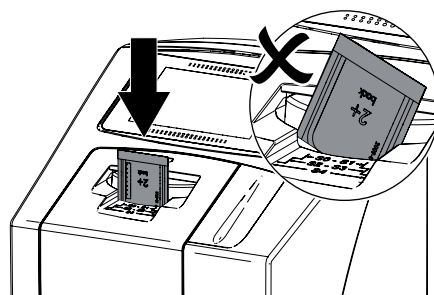
6.



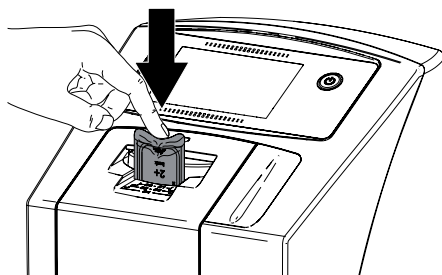
7.



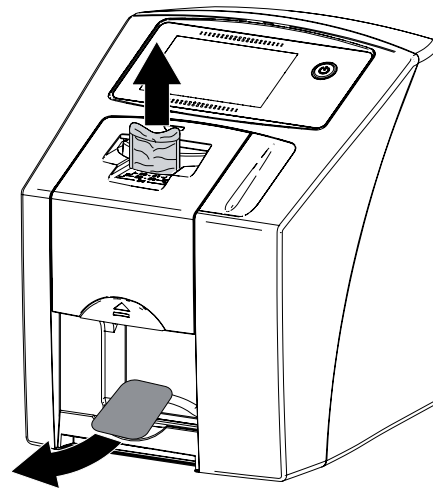
8.



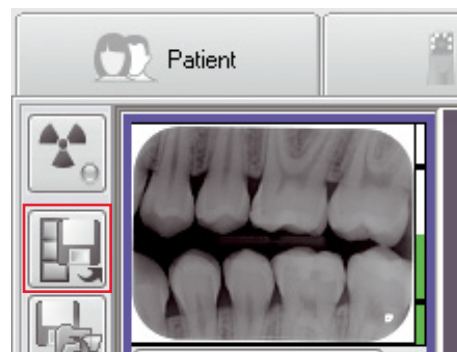
9.



10.

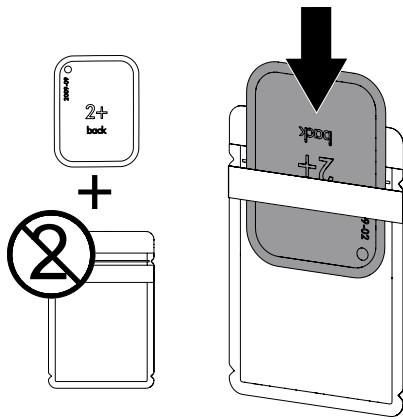


11.

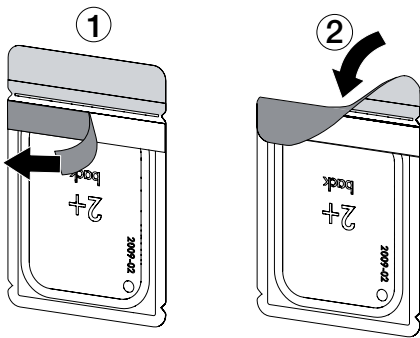


2 Scanning image data via the touch screen on the unit

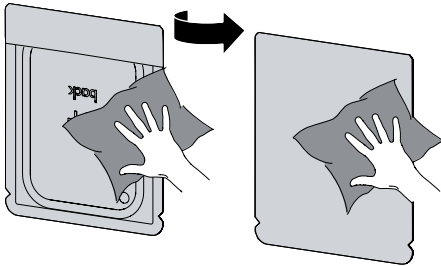
1.



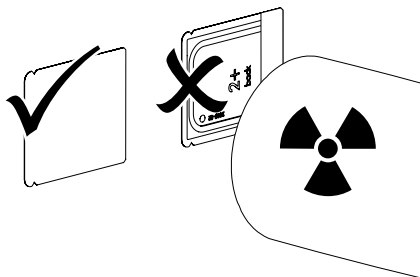
2.



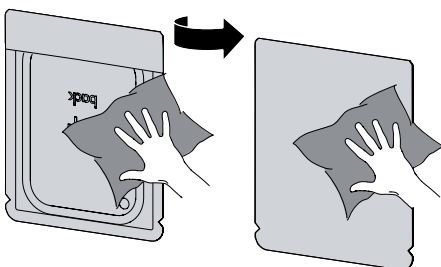
3.



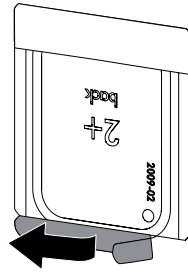
4.



5.



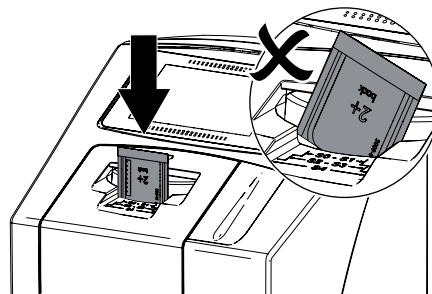
6.



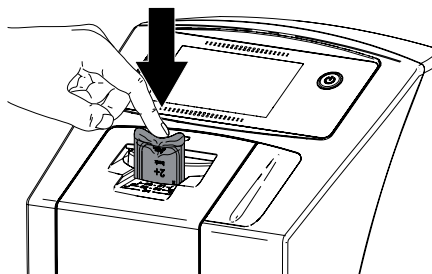
7.



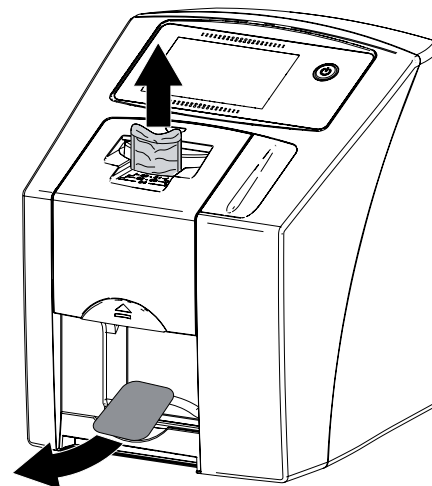
8.



9.



10.



11.

